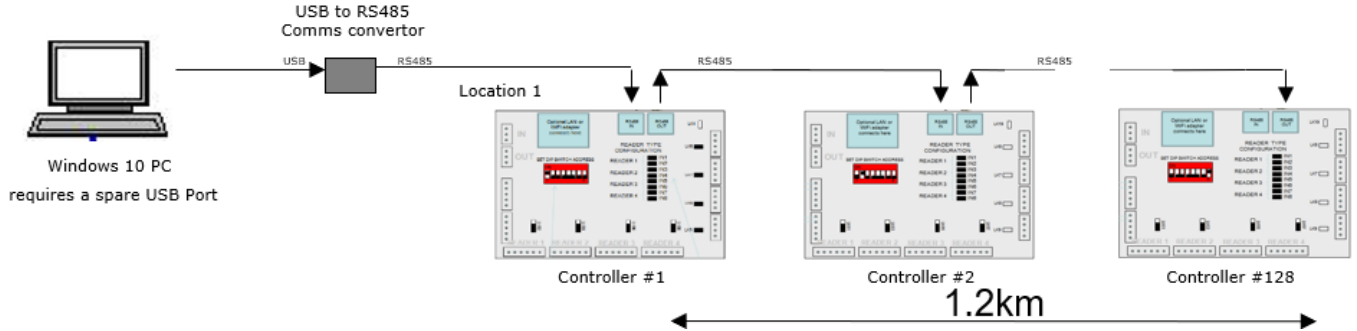


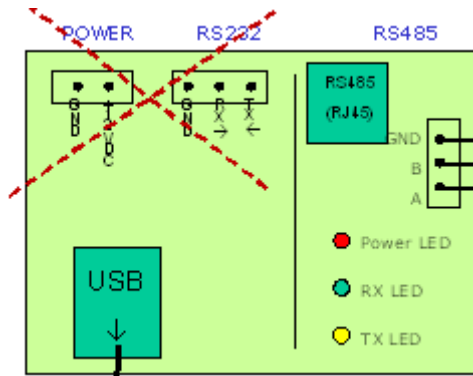


### USB to RS485 Comms Converter Install Guide

This converter when connected to a PC will appear as a COM port on your PC. This will allow programs to communicate in RS485 two wire format.

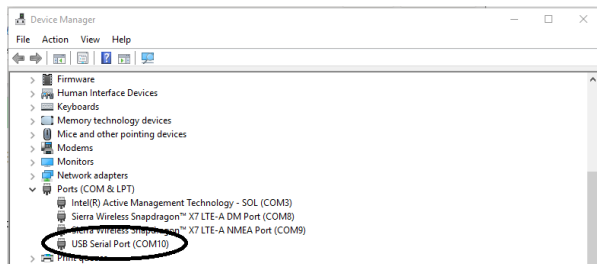


**Note: Do not connect External Power when connecting to your PC using the USB port. Your PC USB port will power the converter. The Power and RS232 terminals should not be used in normal operation.**



### Software Drivers

Use the USB cable to connect the device to your PC. Windows will automatically detect and install the drivers for this device. Once complete it will appear in the **Device Manager** as a **USB Serial Port**.



If for any reason the drivers do not install download and install the drivers here:

<http://www.ftdichip.com/Drivers/VCP.htm> (FT232BM)



### RS485 Cabling

CAT5 or CAT6 is the recommended cable type for RS485 cabling. Max 1200 meters.

### RJ45 or Terminal Connection Option?

This Converter as well as the EVO2/4 controllers have **terminal block AND RJ45** connectors. Use your preferred method.

*(CAT5 cable works better with RJ45 connectors)*

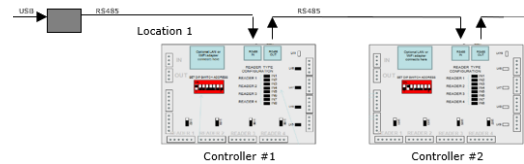


### RJ45 Connection Option

If using the RJ45 terminals use the same pin layouts at each end.

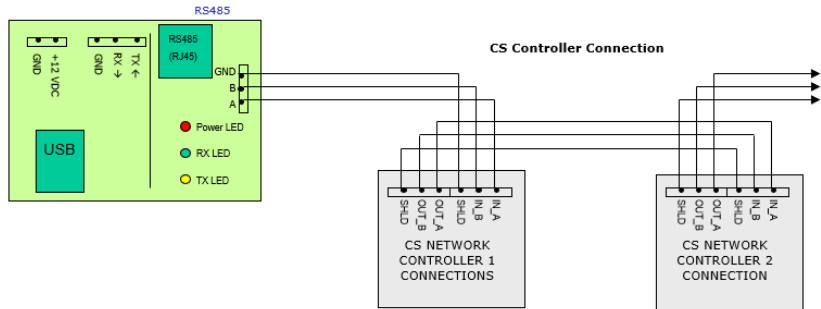
RJ45 Pin Outs (same at both ends):

- A – Pin 1
- B – Pin 2
- GROUND – PIN 4



### Terminal Block Connection Option

Connect A to A, B to B and GND to GND (SHIELD on older v2 Boards)

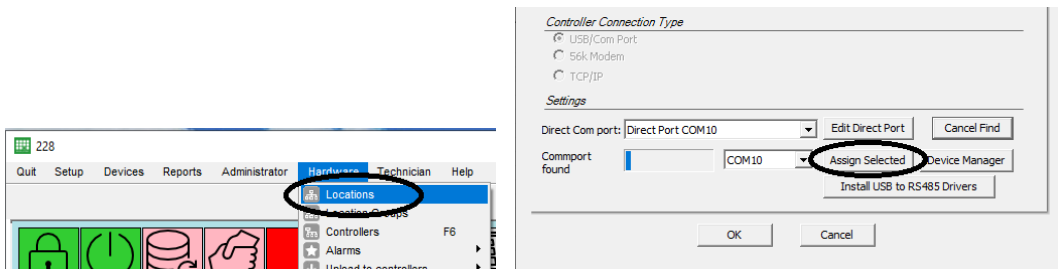


### Evolution Software

Download the latest version of Evolution software from [www.cstech.biz](http://www.cstech.biz)

Assign the com port to the Location in Evolution

Go to **Hardware/Locations**. Press **Auto find** and then **Assign Selected**.



If the correct COM port is assigned, you will see red RX led LED flashing even if no controllers are connected to the converter.