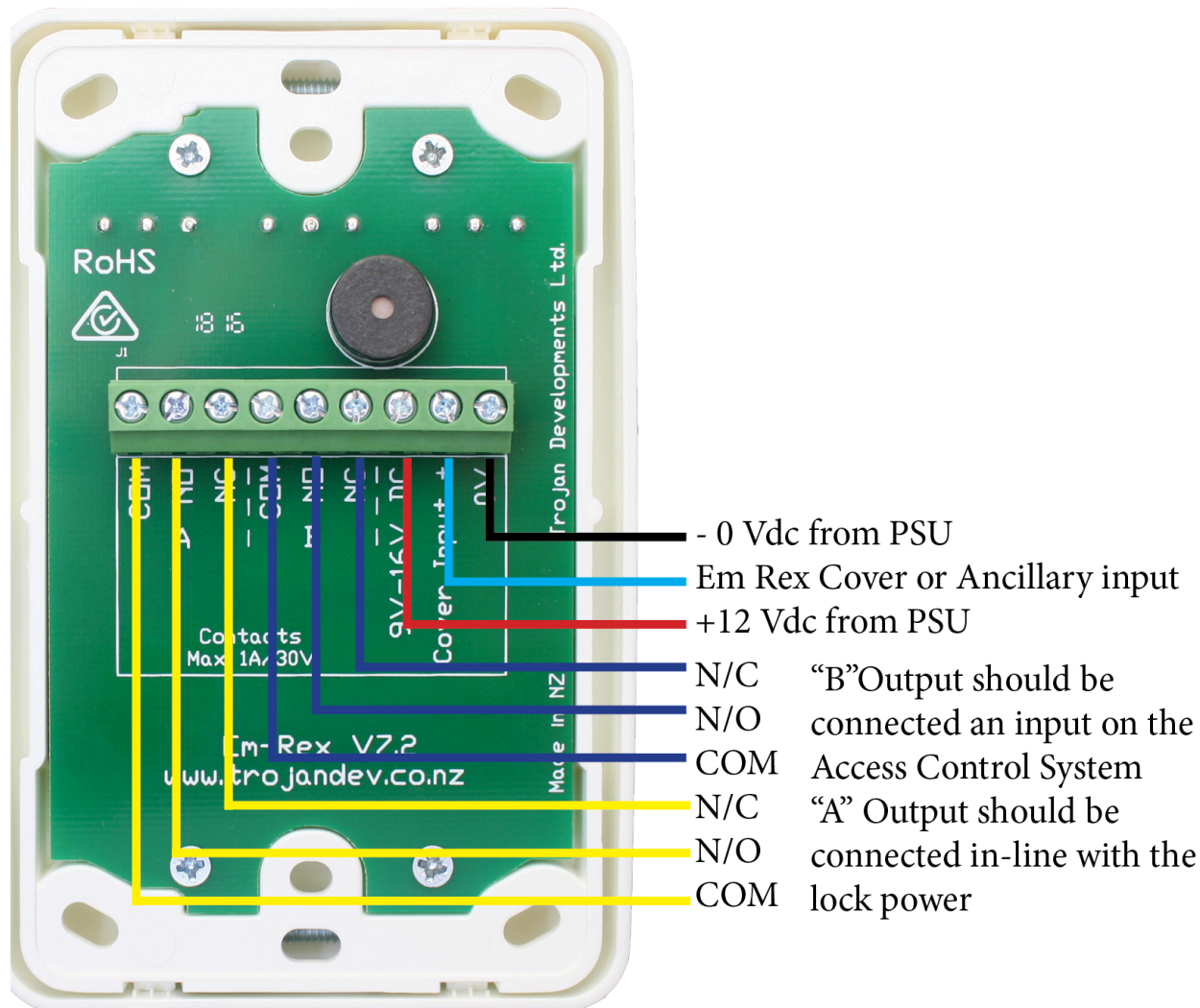


# Em Rex<sup>®</sup>


The **Em Rex Emergency Exit Device** is a passive device and has no electronics that could fail and cause the device not to operate. The unit is always in a loaded condition which is released when activated.

## Wiring Diagram



## Specifications

- Single gang profile fits standard electrical flush box
- Power requirements 9 to 16Vdc (only if using on board sounder)
- 10mA at 13.6 Vdc
- Two sets Clean N/O and N/C outputs (changes status upon activation)
- The contacts are rated at 1 Amp 30Vdc
- The faceplate will not deteriorate over time and is easily cleaned.
- C-Tick Certified & complies with RoHS and BS 5839 Pt 2. Standard for "Break-Glass Panels"
- Humidity: 93± 3% non-condensing
- Operating Temperature: -10°C to +70°C
- Ingress Protection(IP) Rating: IP54

 [View Em Rex® \(\)](#)

[« Back to products \(http://www.trojandev.com.au/product\)](http://www.trojandev.com.au/product)

[« Back to Em Rex® details \(https://www.trojandev.com.au/product/em-rex/\)](https://www.trojandev.com.au/product/em-rex/)

© COPYRIGHT 2025 TROJAN DEVELOPMENTS | [PRIVACY POLICY \(HTTP://WWW.TROJANDEV.COM.AU/PRIVACY-POLICY\)](http://www.trojandev.com.au/privacy-policy) |  
DEVELOPING INNOVATIVE EGRESS SOLUTIONS SINCE 1987 ([HTTP://WWW.CLIK.CO.NZ](http://www.clik.co.nz))

(<http://www.clik.co.nz>)

(<http://www.clik.co.nz>)