

IP DES - Video entrance panel with 4.3" display and keypad with face recognition and fingerprint

374001

Description

Video entrance panel with 4.3" display, keypad with numbers and letters (A-I), double face recognition camera, fingerprint reader and badge reader for access control functions. Using the keypad, it is possible to make calls to the apartments and the guard station and enter the access code to release the lock.

Configuration of different calling modes:

- Apartment code (Area - Building - Riser - Floor - Apartment)
- Numeric or alphanumeric codes for residents

Enter the settings menu with a specific code for maintenance and for managing the settings (e.g. backlight brightness, ring volume, speaker volume, button volume, screensaver time). Possibility to upload customized screensavers using the configuration software. The entrance panel can be PoE (power over Ethernet) powered, or directly powered using power supply 375005. Flush mounted installation using the dedicated box 375006.

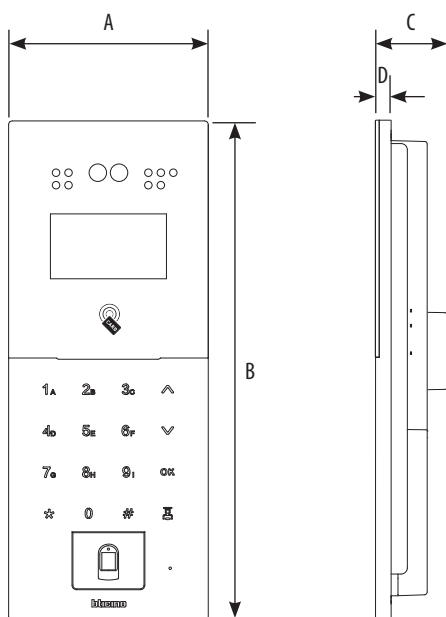
Related items

375006 Metal box for flush-mounting installation

Technical data

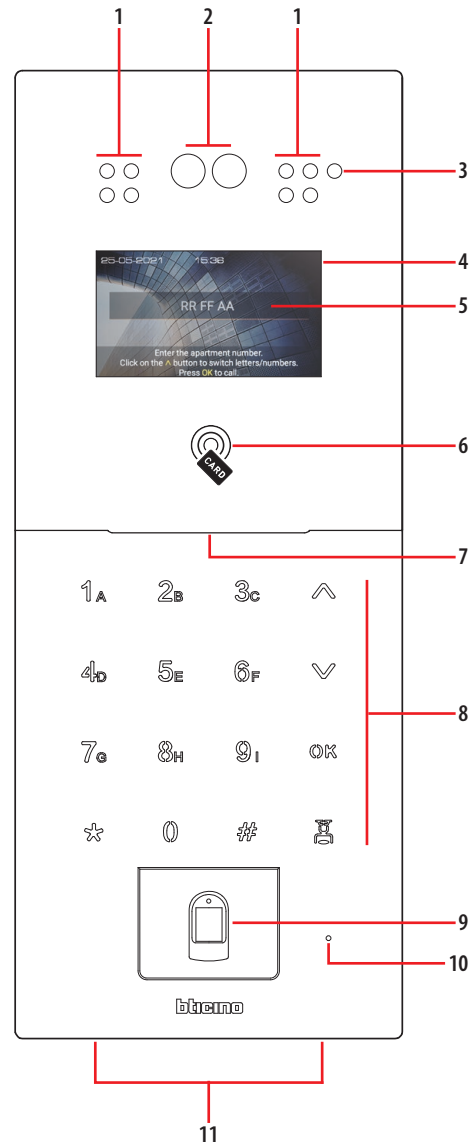
Voltage:	24 Vdc
Maximum consumption:	0.65 A
C NC NO contact output:	125 Vac/0.5A, 30Vdc/2A
Max. cable section for clamps:	0.8 mm ²
Operating temperature:	(- 40) – (+ 70) °C
IP degree of protection:	54
IK degree of protection:	07
Camera resolution:	1080 p
Camera viewing field angle:	H= 80°; V= 53°
Face recognition distance during daytime:	30 – 80 cm
Face Recognition Distance at Night:	30 – 50 cm
Badge reader Frequency:	13.56 MHz
Badge reader transmission power:	< 42 dBuA/m @ 10m

Dimensional data



A	B	C	D
160 mm	400 mm	58 mm	12 mm

Front view



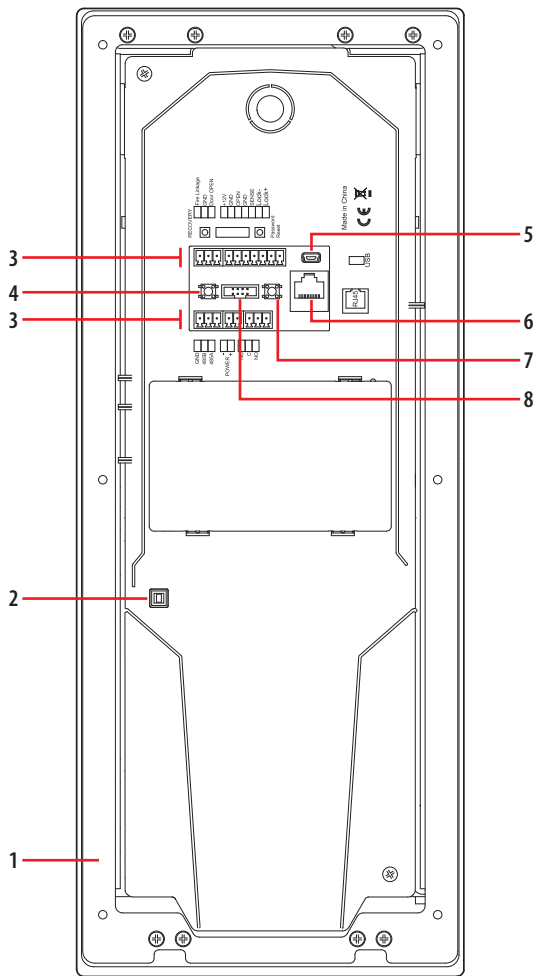
Legend

1. LED for the shooting field lighting
2. Camera
3. Light sensor
4. Display 4,3"
5. Home Page
6. Badge reader for door lock opening
7. Loudspeaker
8. Backlit keyboard
9. Finger print reader
10. Microphone
11. Locking screws

IP DES - Video entrance panel with 4.3" display and keypad with face recognition and fingerprint

374001

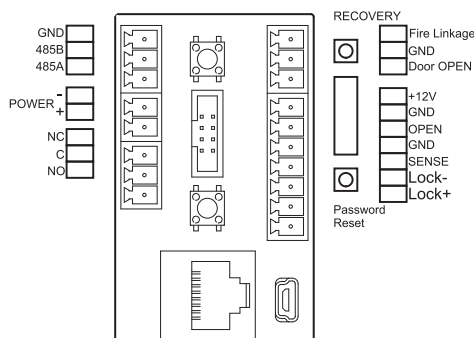
Rear view



Legend

1. Mounting bracket
2. Tamper switch
3. Connection clamp
4. Not used
5. USB Connector (not used)
6. RJ45 Connector (*)
7. Reset setting password and local access code
8. Not used

(*) This device does not support standard POE power supplies, but only POE power supplies identified with item no. 375002. Connect the cat5/5e/6 FTP or cat5/5e/6 UTP cable with ferrite supplied to the connector.



Connection clamps

GND	Lift Control	system common ground terminal for RS485 connection
RS485B		terminal A
RS485A		terminal B
-		additional power supply clamps
+		
NC		
C		interlocked contact
NO		
FIRE Linkage – GND		local door lock release pushbutton connection for firealarm system
Door OPEN – GND		local door lock release pushbutton connection
+12V – GND OPEN		access control devices power supply
OPEN		third party access control signal input for door lock opening (+12Vdc pulse)
GND		system common ground terminal for third party connection
SENSE		door status signal input (dry contact)
LOCK+		electric door lock connection and control (12V - 4A impulsive on 3 Ohm maximum)
LOCK-		

Configuration

To use the device, it is necessary to configure it and create the Community structure using the DES Server software, following the steps below:

- Step 01 Community VLAN network creation
- Step 02 Community structure definition
- Step 03 Community structure creation
- Step 04 Device MAC address registration
- Step 05 Forwarding of the phonebook to the Server DES
- Step 06 Installation of the devices
- Step 07 Activation of the devices
- Step 08 System test

For further information, please refer to the Server DES Software Manual, available for download from www.homesystems-legrandgroup.com website.

IP DES - Video entrance panel with 4.3" display and keypad with face recognition and fingerprint

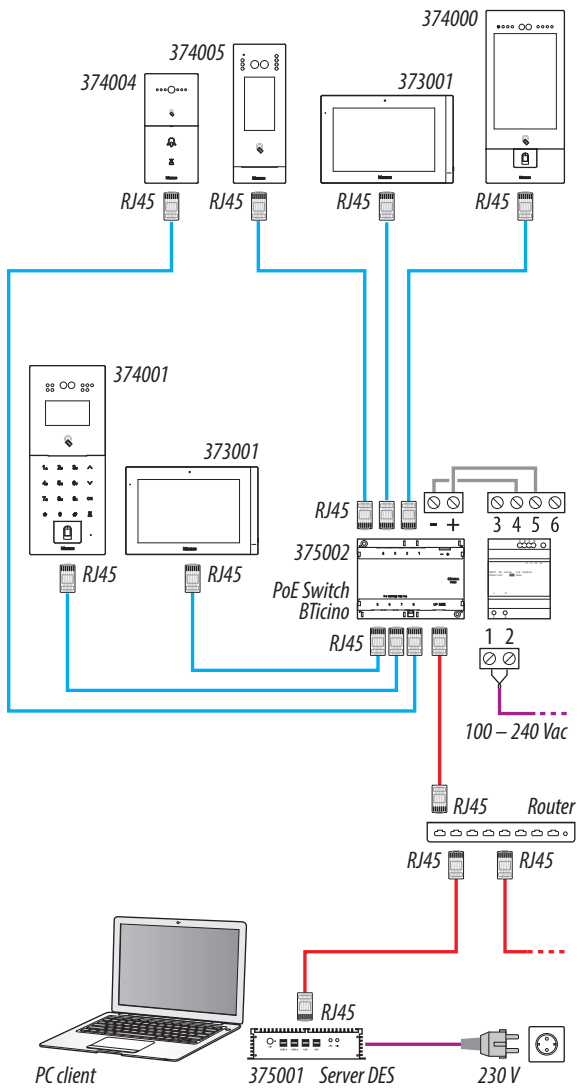
374001

Wiring diagrams

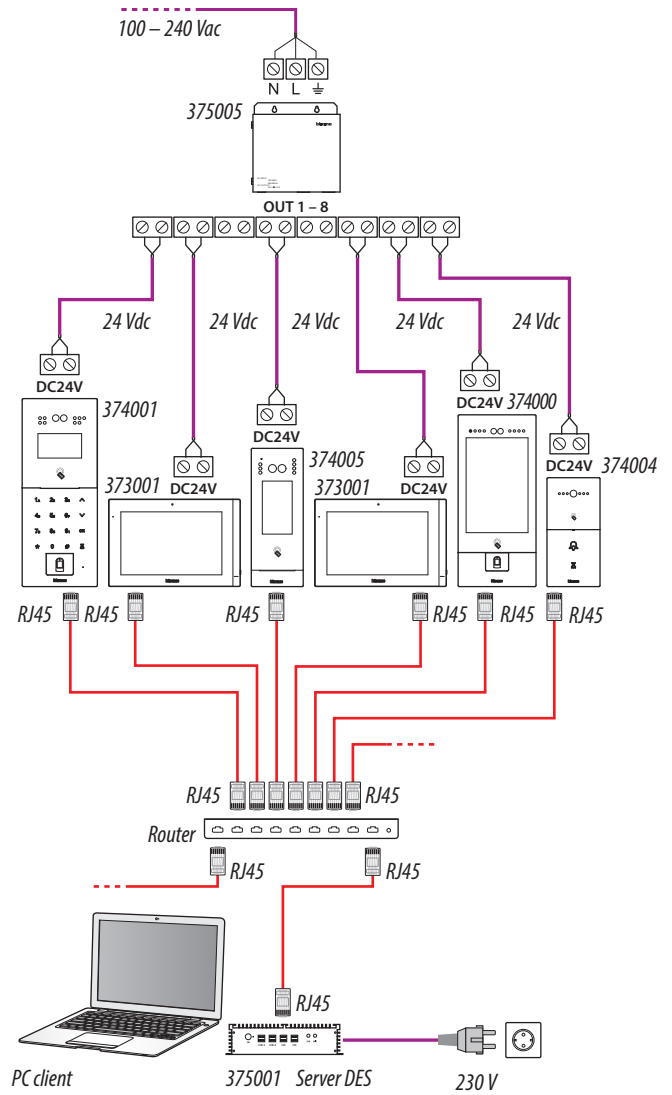
CABLES LEGEND	LAN PoE BTicino	LAN Ethernet	Copper cables	2 x Copper cables
---------------	-----------------	--------------	---------------	-------------------

It is possible to use two different types of connection according to installation situation:

A - Diagram with power supply by BTicino PoE Switch



B - Diagram with local power supply



Attention: this device does not support standard POE power supplies, but only POE power supplies identified with 375002. Connect the cat5/5e/6 FTP or cat5/5e/6 UTP cable with ferrite supplied to the connector.

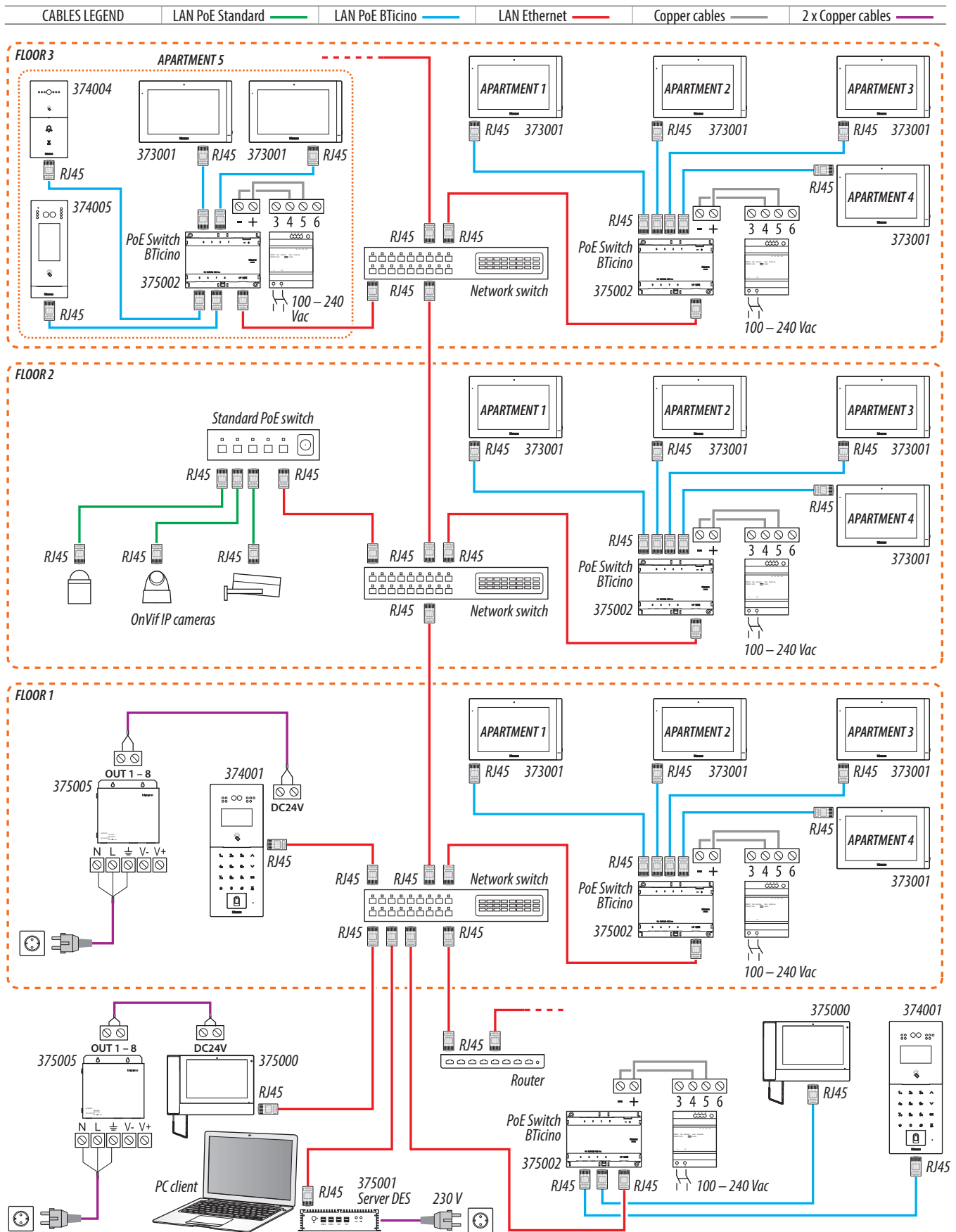
Attention: do not directly connect PoE ports to an unsuitable network interface, such as a device powered by a different voltage. Connect the UP LINK port to a suitable port, never to a PoE port.

Note: maximum length of every LAN permanent link line = 90 m.

IP DES - Video entrance panel with 4.3" display and keypad with face recognition and fingerprint

374001

Ethernet connection

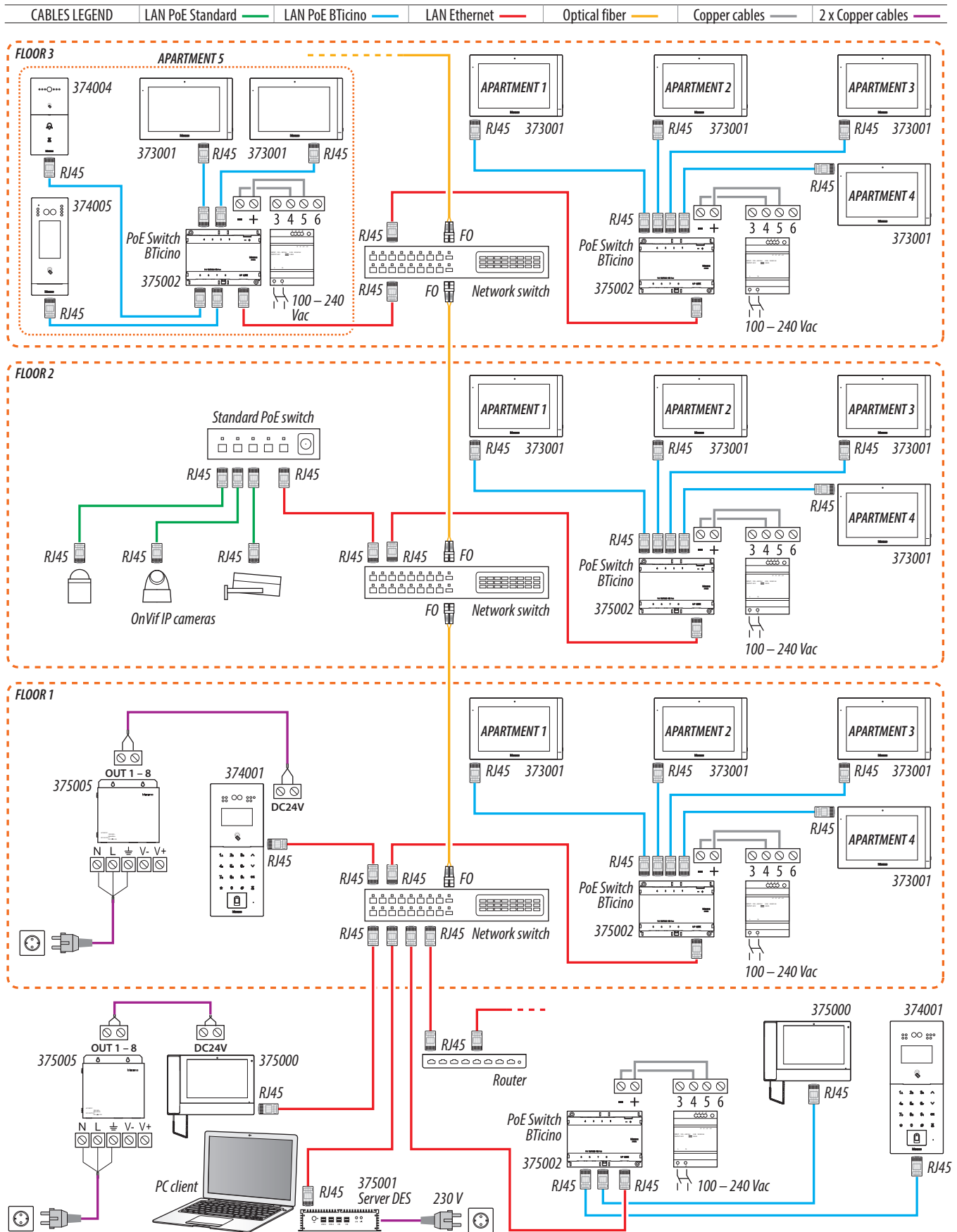


Attention: do not directly connect PoE ports to an unsuitable network interface, such as a device powered by a different voltage. Connect the UP LINK port to a suitable port, never to a PoE port.
Note: to connect the devices it is possible to use both types of wiring (diagram A or diagram B) or even mixed ones.

IP DES - Video entrance panel with 4.3" display and keypad with face recognition and fingerprint

374001

Fiber optic riser connection (case of higher bandwidth demand)



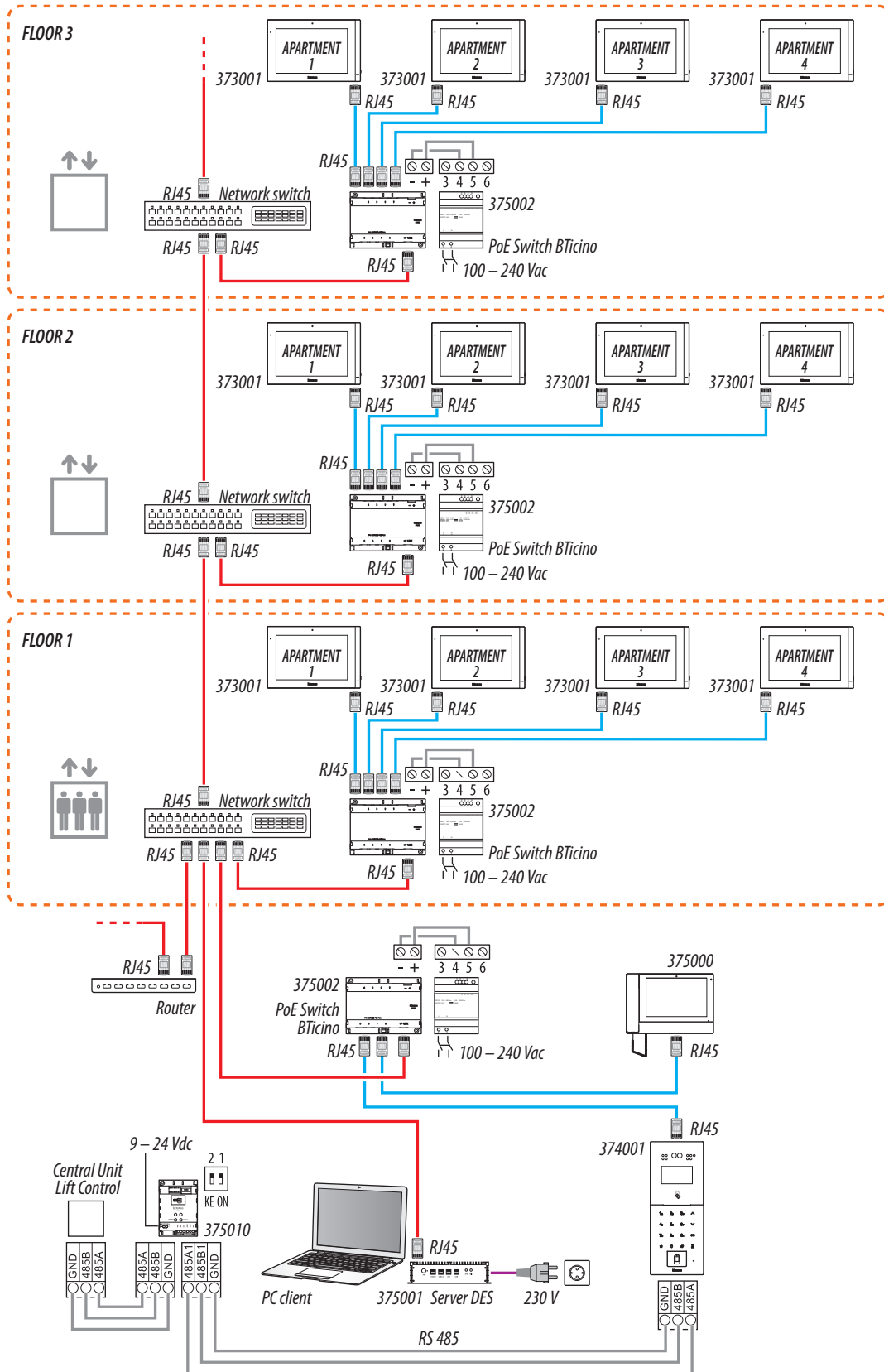
Attention: do not directly connect PoE ports to an unsuitable network interface, such as a device powered by a different voltage. Connect the UP LINK port to a suitable port, never to a PoE port.
Note: to connect the devices it is possible to use both types of wiring (diagram A or diagram B) or even mixed ones.

IP DES - Video entrance panel with 4.3" display and keypad with face recognition and fingerprint

374001

Lift control 1 - Lift control, 1 riser, 1 entrance panel

CABLES LEGEND	LAN PoE BTicino	LAN Ethernet	Copper cables	2 x Copper cables



Attention: do not directly connect PoE ports to an unsuitable network interface, such as a device powered by a different voltage. Connect the UP LINK port to a suitable port, never to a PoE port.
Note: to connect the devices it is possible to use both types of wiring (diagram A or diagram B) or even mixed ones.

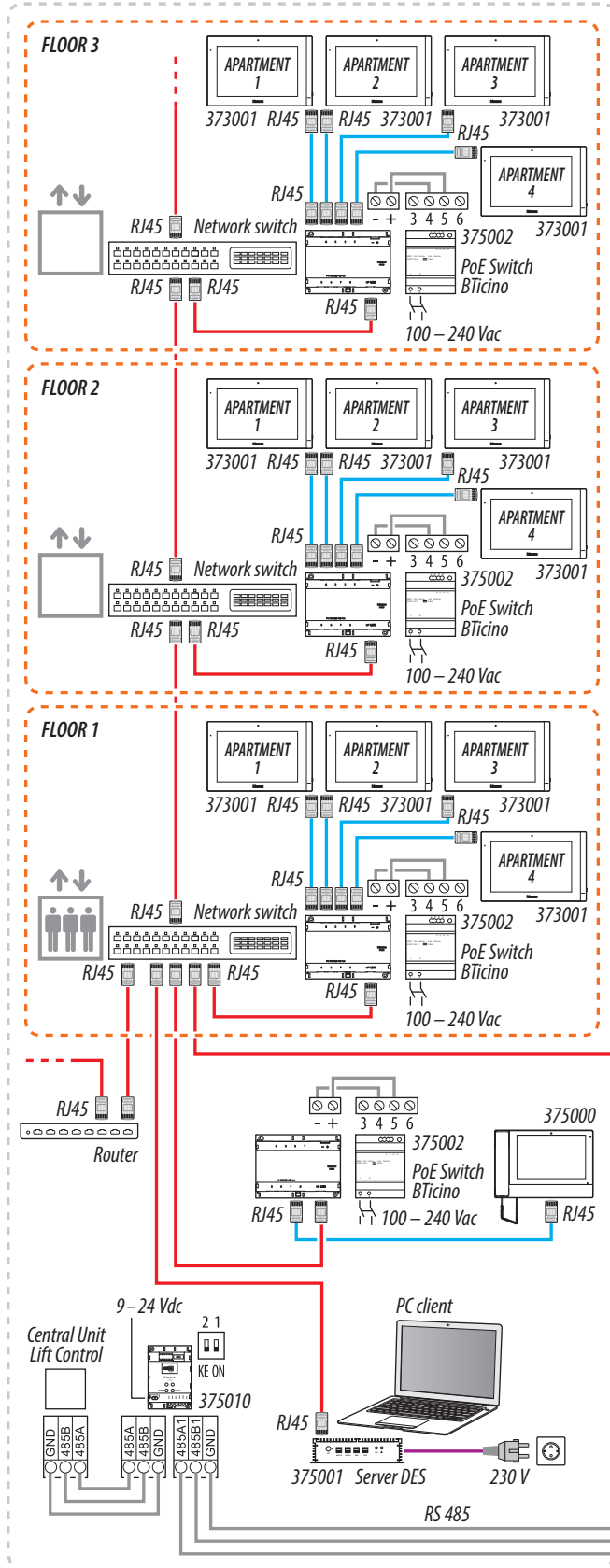
IP DES - Video entrance panel with 4.3" display and keypad with face recognition and fingerprint

374001

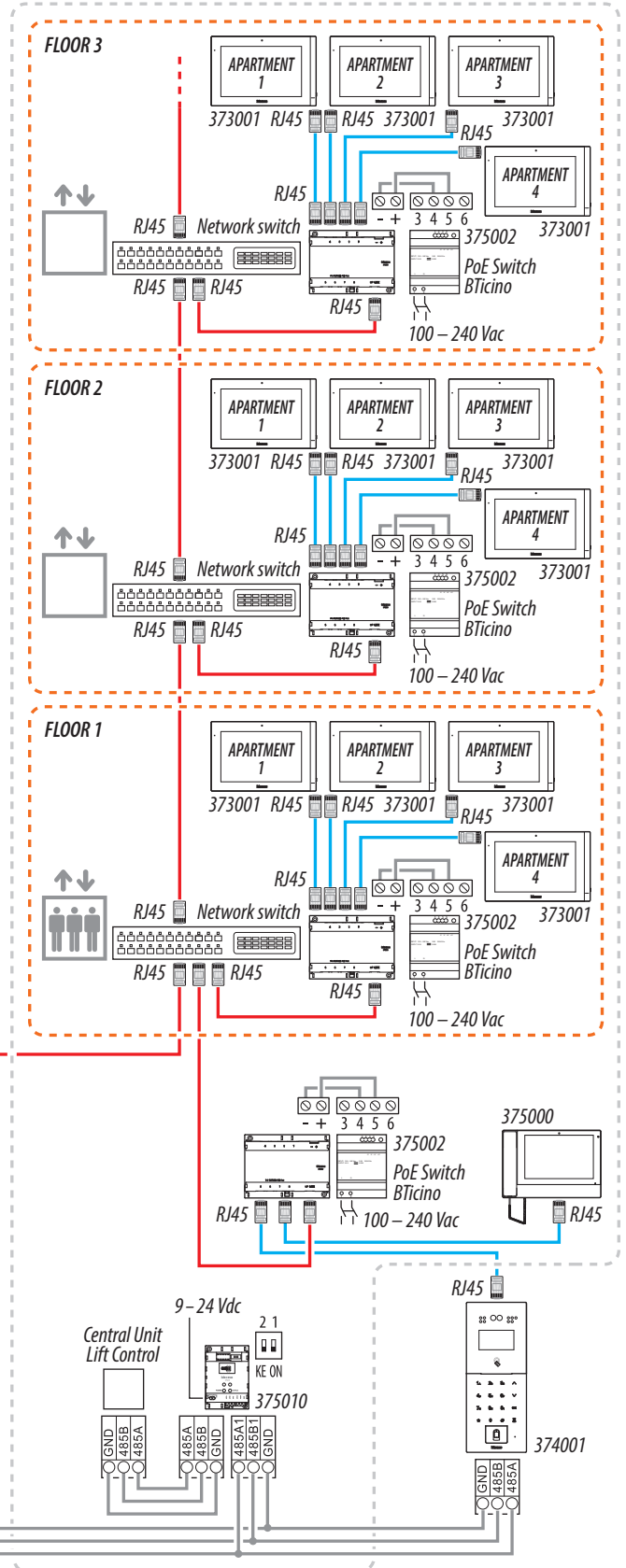
Lift control 2 - Lift control, multi riser, 1 entrance panel

CABLES LEGEND	LAN PoE BTicino	LAN Ethernet	Copper cables	2 x Copper cables

RISER 1



RISER 2



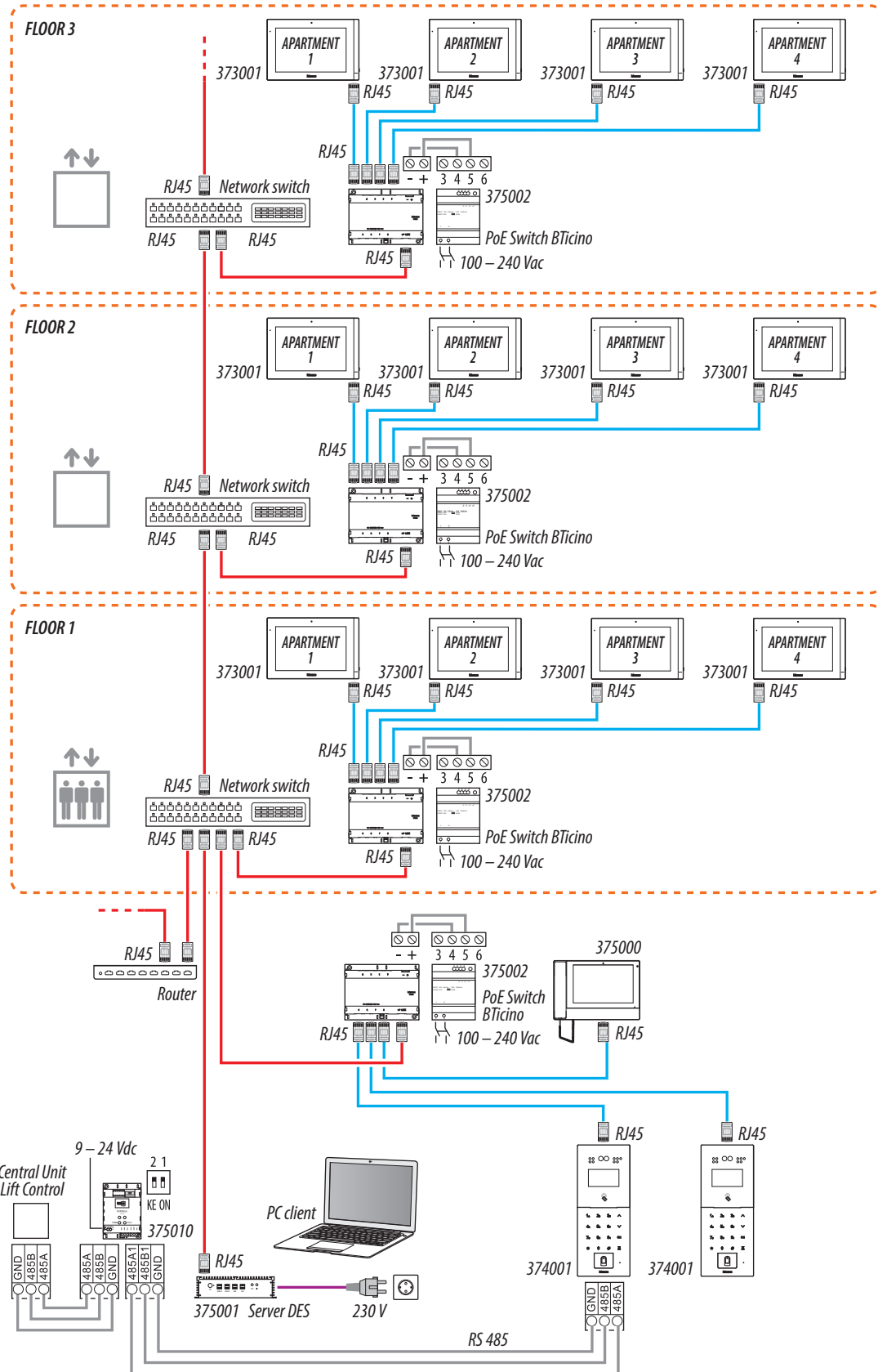
Attention: do not directly connect PoE ports to an unsuitable network interface, such as a device powered by a different voltage. Connect the UP LINK port to a suitable port, never to a PoE port.
Note: to connect the devices it is possible to use both types of wiring (diagram A or diagram B) or even mixed ones.

IP DES - Video entrance panel with 4.3" display and keypad with face recognition and fingerprint

374001

Lift control 3 - Lift control, 1 riser, multi entrance panel

CABLES LEGEND	LAN PoE BTicino	LAN Ethernet	Copper cables	2 x Copper cables



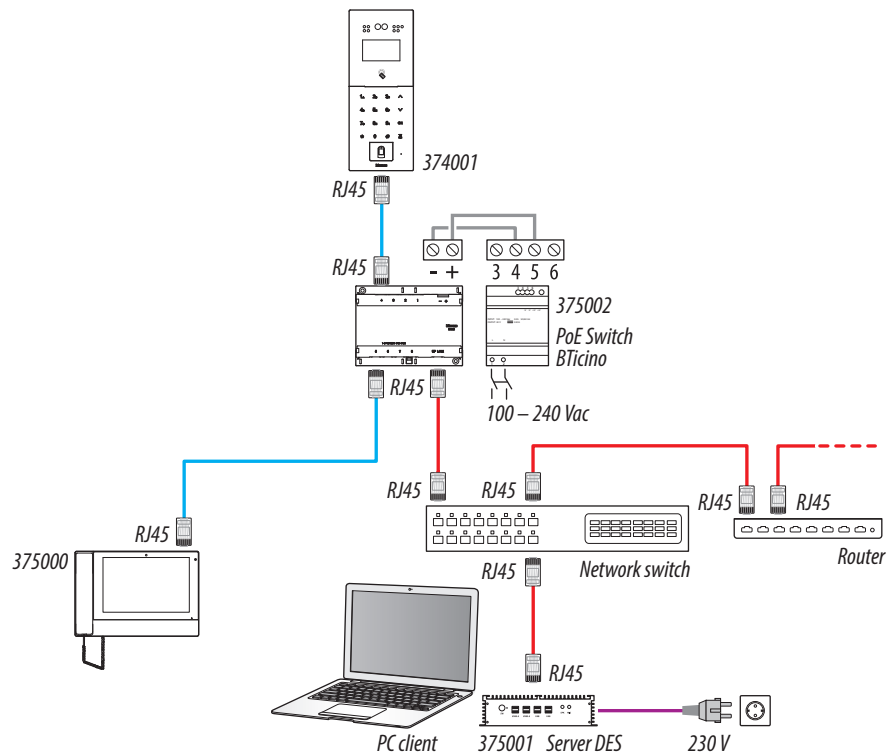
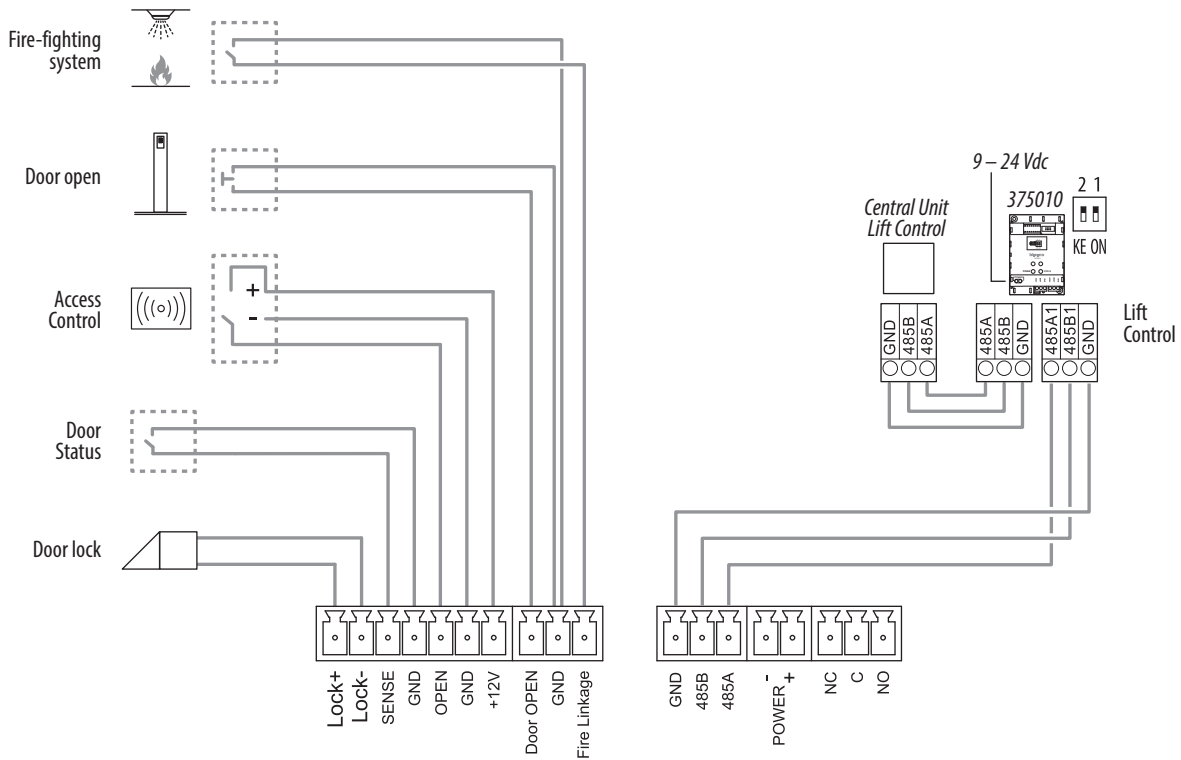
Attention: do not directly connect PoE ports to an unsuitable network interface, such as a device powered by a different voltage. Connect the UP LINK port to a suitable port, never to a PoE port.
Note: to connect the devices it is possible to use both types of wiring (diagram A or diagram B) or even mixed ones.

IP DES - Video entrance panel with 4.3" display and keypad with face recognition and fingerprint

374001

Available functions

CABLES LEGEND	LAN PoE BTicino 	LAN Ethernet 	Copper cables 	2 x Copper cables 
---------------	---	--	---	---



Attention: do not directly connect PoE ports to an unsuitable network interface, such as a device powered by a different voltage. Connect the UP LINK port to a suitable port, never to a PoE port.
Note: to connect the devices it is possible to use both types of wiring (diagram A or diagram B) or even mixed ones.

Main functions

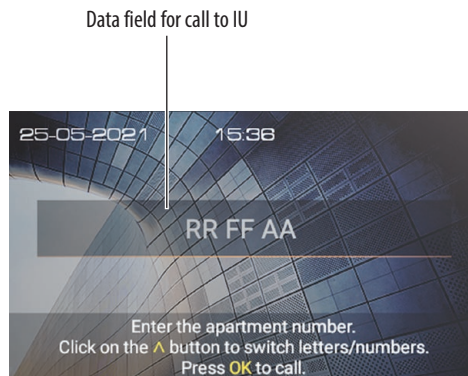
Call an IU Function

In this section it is possible to manage the calls to an IU.

Depending on how the community has been configured using the DES Server software, calls can be made in two ways:

- Call using the system address
- Call using the Alias (alphanumeric code)

In both cases, the data required to make the call must be entered in the appropriate field on the Home Page:



When the IU does not answer a message can be recorded.

Call a GS Function

This function allows to call the reference guard station.

Access Function

It is possible to access the building in different ways:

- using # + code
- using a configured badge or card
- through face recognition (Face recognition function); automatic activation must be enabled
- through fingerprint recognition (Fingerprint function).

Answering machine Function

Using this function, it is possible to leave a photo with own audio message if the IU does not answer after 30 seconds. This function must be active.

Messages Function

When the screensaver is enabled, this function displays messages sent to entrance panels using the DES Server software.